

# Reverse Osmosis Watermakers



## STDC SY / SW8

**S**TDC SY & SW8 are full automatic watermakers designed for the production of high quantity of fresh water on board of superyachts, huge boats, merchant vessels, land-based plants and offshore platforms.

The watermaker is mounted on a solid stainless steel frame in the standard configuration.

Comes with an automatic membranes flushing system, a backwashable multimedia sand filter and an automatic pressure regulation device.

Equipped with electro-mechanic control panel with LCD display that allows the easy control of all functions.

The watermakers can also work in manual mode. High pressure vessels in reinforced fiberglass, A.S.M.E. approved.



STDC SY 4500

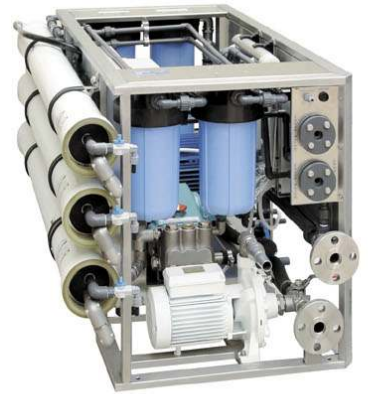


Optional remote controls available: LCD panel, by on board PC, by 4.3" touch-screen LCD display and also by GSM or SAT link, for management, setting, diagnosis and maintenance.

For the complete list of available accessories see the pages 16 and 17 of this catalog.



STDC SY 12000



SW8-100



EASY USE: FULLY AUTOMATIC  
LOW NOISE OPERATION  
ONE-TOUCH TECHNOLOGY



# High Production Reverse Osmosis Watermakers

## Technical Data

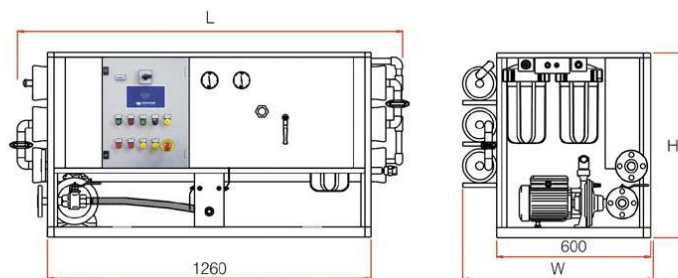
Model	Production per hour (litres / gallons)	Production per day (litres / gallons)	Voltage (Volt) / Frequency (Hz) Installed Power (kW)	Max dimensions -W x D x H- (mm)	Weight (kg)
STDC SY 3000	600 / 158	14,400 / 3,804	400 V AC - 50 Hz 3-phase* - 5.5 kW	1500 x 750 x 720	160
STDC SY 4500	800 / 211	19,200 / 5,072	400 V AC - 50 Hz 3-phase* - 5.5 kW	1500 x 750 x 720	180
STDC SY 6000	1,000 / 264	24,000 / 6,336	400 V AC - 50 Hz 3-phase* - 7.5 kW	1500 x 750 x 720	210
STDC SY 9000	1,500 / 395	36,000 / 9,480	400 V AC - 50 Hz 3-phase* - 11 kW	1930 x 980 x 1040	300
STDC SY 12000	2,000 / 528	48,000 / 12,680	400 V AC - 50 Hz 3-phase* - 11 kW	1930 x 980 x 1040	360
SW8-60	2,500 / 660	60,000 / 15,852	400 V AC - 50 Hz 3-phase* - 15 kW	2890 x 950 x 1380	700
SW8-75	3,000 / 792	72,000 / 19,022	400 V AC - 50 Hz 3-phase* - 22 kW	2890 x 950 x 1380	720
SW8-100	4,000 / 1,056	96,000 / 25,363	400 V AC - 50 Hz 3-phase* - 22 kW	4000 x 950 x 1380	800
SW8-150	6,000 / 1,585	144,000 / 38,044	400 V AC - 50 Hz 3-phase* - 35 kW	4930 x 950 x 1380	1,200
SW8-250	10,000 / 2,642	240,000 / 63,408	400 V AC - 50 Hz 3-phase* - 50 kW	5950 x 950 x 1380	1,800

\* frequencies available on demand

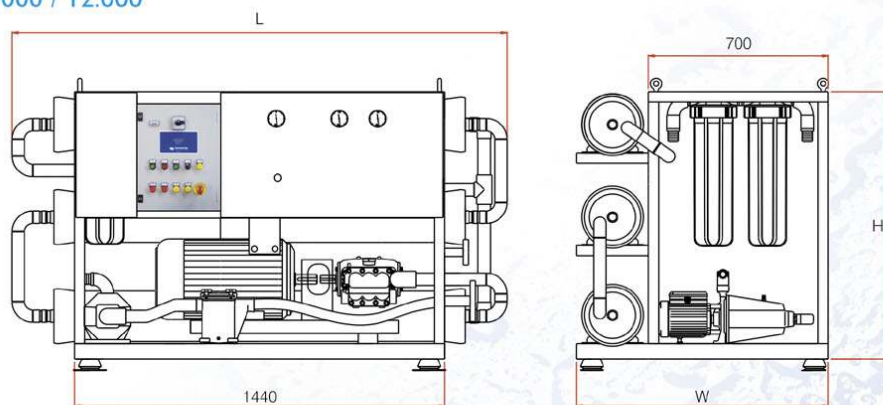


Standard multimedia sand filter

### STDC SY 3000 / 4500



### STDC SY 9000 / 12.000



Standard automatic membranes flushing system

Semi-automatic helicoidal flow TFD filter



### SW8 72 / 100 / 150 / 250 / 350

