

NEW

Dometic Spot Zero Water Purifier Systems

Spot-Free Washing



Dometic Spot Zero SZ3000 modular components: Control panel with flow meters and pressure gauges, pre-filters, and membrane vessel assembly

Imagine a gleaming boat and a spot-free wash down with no need to go back and wipe or chamois-dry the vessel's finished surfaces.

The Dometic Spot Zero removes 95-99% of total dissolved solids (TDS) from any dock or on-board water supply. The result is soft, pure water that lets water-sprayed surfaces dry clean without leaving spots that have to be wiped away. Air-drying after a Spot Zero rinse helps preserve the boat's paint and wax finishes since "wiping away" dissolved solids can grind them into finished surfaces, creating minute scratches.

Fill your holding tanks with Dometic Spot Zero water to be used for bathing, cooking, drinking, and making crystal-clear ice on-board. Enjoy spot-free glassware, dishes, and shower surfaces, and eliminate mineral build-up in ice machines for less maintenance.

Dometic Spot Zero uses a multi-step reverse-osmosis process: Filters remove sediment, granulated activated carbon removes chlorine, chloramines and heavy metals, and a semi-permeable membrane allows the passage of water but not ions or larger molecules. In addition to eliminating 95-99% of TDS, Dometic Spot Zero also removes viruses, cysts, bacteria, and radioactive contaminants from any dock water anywhere in the world.

Spot Zero Double Pass models are available that purify water from both a dockside freshwater source and the output from your onboard seawater reverse osmosis system. Contact Dometic Marine for more details.



Removes 95-99% of total dissolved solids from any dock water supply.



Dometic Spot Zero installed on-board.



Dometic Spot Zero installed on-board.

Key Benefits

- Eliminates water spots
- Removes 95-99% of total dissolved solids
- Purifies dockside water
- Removes viruses, cysts, and bacteria
- No need to chamois-dry surfaces
- Stop wasting time drying by hand
- Extends wax and paint life
- Provides pure water for bathing and drinking
- Compact design
- Very low power consumption
- Very low noise and vibration
- Available in capacities of 125 GPH (473 LPH) and 85 GPH (322 LPH)

Product Testimonial

"Less soap is used in the washing machines because the water is so soft. Same in the showers — they don't have to clean so much. The ice in the ice makers is fantastic and the water tastes amazing. Outside with the guys rinsing down, Spot Zero is great. It saves the paint because they don't have to buff off any hard water. On the windows the water beads off. It's definitely a must. It saves so many headaches. I've found it's fantastic."

— Mike Baird, Chief Engineer, 164 ft. Christensen

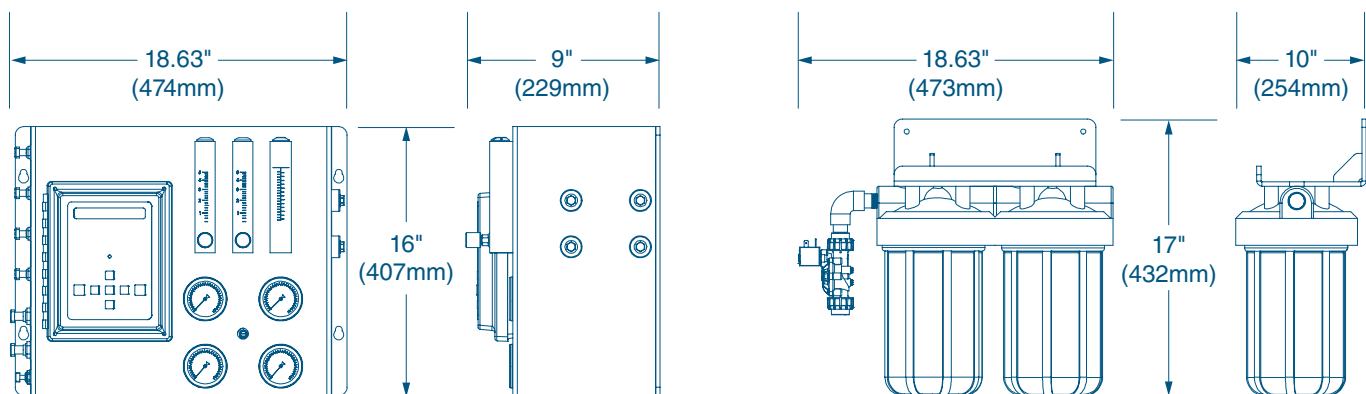
 **Dometic**
SPOT ZERO

Specifications for Dometic Spot Zero System

Model	Control Panel	Pre-Filter Assembly	SZ2000 Membrane Assembly	SZ3000 Membrane Assembly
Capacity Per Hour (gal/l)	N/A	N/A	85/321.8	125/473.2
Capacity Per 24 Hours (gal/l)	N/A	N/A	2,000/7,571	3,000/11,356
Amperage	10A @ 115V 5A @ 230V	N/A	N/A	N/A
Net Weight (lbs/kg)	50/22.7	42/19.0	20/9.07	40/18.14
Shipping Weight (lbs/kg)	SZ2000: 205/93.0 SZ3000: 237/107.5			
Shipping Dimensions (H X W X D)	30 X 41.5 X 48.5 in. (762 X 1,055 X 1,232 mm)			

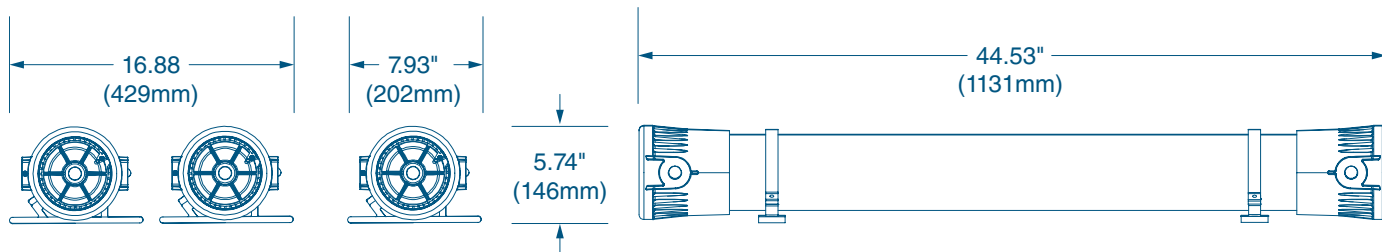
¹ Weight shown is for one membrane vessel assembly used in the SZ2000 model. Please double weight to 42 lbs. (19.1 kg) for SZ3000 model which uses two membrane vessel assemblies.

Dimensions



SZ2000/SZ3000 Control Panel

Pre-Filters



SZ3000 Membrane Vessel Assembly

SZ2000 Membrane Vessel Assembly

DOMETIC MARINE DIVISION

2000 N. Andrews Ave. Ext. | Pompano Beach, FL 33069 USA | Tel. 954-973-2477 | Fax: 954-979-4414
www.Dometic.com/Marine | MarineSales@DometicUSA.com

24/7 TECH SUPPORT FOR UNITED STATES & CANADA:

8:00 AM to 5:00 PM Eastern Time: 800-542-2477
After hours and weekends: 888-440-4494

INTERNATIONAL SALES & SERVICES

Europe & the Middle East: Call +44(0)870-330-6101
For all other areas visit our website to find your nearest distributor.

Dealer

