

# Aqua-Pure®

Spec # \_\_\_\_\_

Quantity \_\_\_\_\_

## Models:

**AP Easy CS-FF /**

**AP Easy Cyst-FF**

**Drinking Water Systems**

## Applications:

- Chlorine Taste & Odor (CTO)
- Sediment\*
- Parasitic Protozoan Cysts (AP Easy Cyst-FF)

## At a Glance:

- Easy to select the right product
- Easy to install, no special tools required
- Easy to maintain, filter change is a twist



AP Easy CS-FF

AP Easy Cyst-FF

## Product Benefits:

- Designed to hook up to your existing kitchen or bath faucet for full flow filtration, providing a clean look on your counter
- Both systems reduce CTO, and Sediment. The AP Easy Cyst-FF reduces 99.95% of filterable Parasitic Protozoan Cysts from your cold water supply right at the sink
- Everything included - no additional parts necessary for most installations

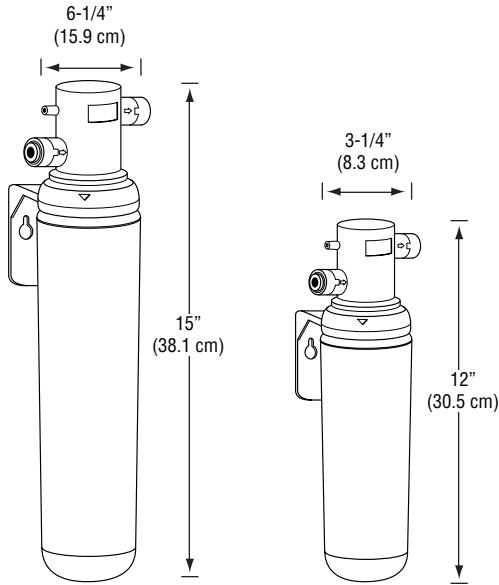
## Product Specifications:

Model No. (Part No.)	Inlet/ Outlet Size	Dimensions		Flow Rate	Capacity	Max. Water Temp.	Max. Water Pressure	Std. Replacement Ctg. No.
		Height	Diameter					
AP Easy CS-FF (56092-22)	3/8" Push	12" (30.5 cm)	3-3/16" (8.1 cm)	2.0 gpm (7.8 lpm)	2,000 gallons (7,571 liters)	100°F (37.8°C)	125 psi (862 kPa)	C-CS-FF 56104-27
AP Easy Cyst-FF (56092-23)		15 5/32" (38.5 cm)	3-3/16" (8.1 cm)	1.5 gpm (5.7 lpm)				C-Cyst-FF 56104-28

\* Claims not tested or certified by NSF



# Aqua-Pure®

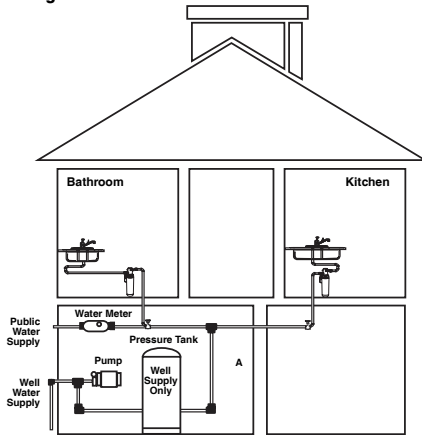


AP Easy Cyst-FF

AP Easy CS-FF

## Easy Installation:

**CAUTION:** Diagram shown is for reference purposes only. Read installation and operation manual prior to installing the unit.



Spec # \_\_\_\_\_

Quantity \_\_\_\_\_

Model Number \_\_\_\_\_

Part Number \_\_\_\_\_

## Physical Specifications:

- 3/8" Push-In fittings
- System is a single vessel design
- System is manufactured from FDA CFR-21 compliant materials
- System has a maximum operating pressure of 125 psi (862 kPa) and operating temperature of 100°F (37.8°C)
- System includes attached mounting bracket
- System to be installed to primary kitchen or bath cold water faucet

**⚠ WARNING:** To reduce the risk associated with the ingestion of contaminants:

- Do not use with water that is microbiologically unsafe or of unknown quality without adequate disinfection before or after the system. The contaminants or other substances removed or reduced by this water filter are not necessarily in all users water. Systems certified for cyst reduction may be used on disinfected water that may contain filterable cysts. EPA Establishment Number 070595-CT-001

3M Purification Inc. recommends regularly scheduled maintenance and replacement of the filter cartridge(s) in order for the product to perform as advertised/sold. 3M Purification Inc. shall not be liable for system failures due to improper maintenance.

**CAUTION:** To reduce the risk associated with property damage due to water leakage:

- The disposable filter cartridge **MUST** be replaced every six (6) months, at the rated capacity or sooner if a noticeable reduction in flow rate occurs.

## Limited Warranty:

**Limited Warranty:** 3M Purification Inc. warrants this Product will be free from defects in material and manufacture for five (5) years from the date of purchase. The filter cartridge or filter membrane is warranted to be free from defects in material and manufacture for one (1) year. This warranty does not cover failures resulting from abuse, misuse, alteration or damage not caused by 3M Purification Inc. or failure to follow installation and use instructions. No warranty is given as to the service life of any filter cartridge or membrane as it will vary with local water conditions and water consumption. **3M PURIFICATION INC. MAKES NO OTHER WARRANTIES OR CONDITIONS, EXPRESS OR IMPLIED, INCLUDING, BUT NOT LIMITED TO, ANY IMPLIED WARRANTY OR CONDITION OF MERCHANTABILITY OR FITNESS FOR A PARTICULAR PURPOSE OR ANY IMPLIED WARRANTY OR CONDITION ARISING OUT OF A COURSE OF DEALING, CUSTOMER OR USAGE OF TRADE.** If the Product fails to satisfy this Limited Warranty during the warranty period, 3M Purification Inc. at its option will replace the Product or refund your Product purchase price. This warranty does not cover labor. **The remedy stated in this paragraph is Customer's sole remedy and 3M Purification Inc.'s exclusive obligation.** For additional information, see the entire Limited Warranty located in the product Installation and Operating Instruction Manual.

**Limitation of Liability.** 3M Purification Inc. will not be liable for any loss or damage arising from this 3M Purification Inc. product, whether direct, indirect, special, incidental, or consequential, regardless of the legal theory asserted, including warranty, contract, negligence or strict liability. Some states and countries do not allow the exclusion or limitation of incidental or consequential damages, so the above limitation or exclusion may not apply to you.

Distributed by:

**3M**

3M Purification Inc.  
400 Research Parkway  
Meriden, CT 06450 U.S.A.  
Toll Free: 1.800.222.7880  
Worldwide: 203.237.5541  
Fax: 203.238.8701  
www.aquapure.com • www.3mpurification.com



Visit [www.nsf.org](http://www.nsf.org) for the claims associated with products that are NSF listed.

Aqua-Pure is a trademark of 3M Company used under license  
3M is a trademark of 3M Company  
NSF is a trademark of NSF International.  
© 2011 3M Company. All rights reserved.  
70-0201-9314-3 REV 1211