

# Dometic Sea Xchange SXII Watermakers

## Streamlined, Compact High Performance Meets High Output



SXII1200 model shown

For boats that require larger volumes of reliable water production, the Dometic Sea Xchange SXII watermaker series provides up to 2,200 GPD/8,328 LPD using reverse-osmosis technology to turn seawater into potable water.

The powerful but extremely compact SXII fits anywhere. The 2-in-1 modular or compact frame lets you make the best use of any available installation space.

Built for marine reliability, durability and rust resistance, the SXII Series has a 316 stainless-steel high-pressure pump, 316 stainless-steel flow and pressure components, and 316 stainless-steel boost pump motor shaft. The high-pressure pump and the boost pump are the most durable and efficient pumps available. The totally enclosed, fan cooled (TEFC) washdown duty motor has thermal protection.

Other features include an automatic freshwater flush, easy-to-use backlit computer controller display and an optional remote control. The high-rejection seawater membranes are commercially available and the system is fully upgradable from 600 to 2,200 GPD/2,271 to 8,328 LPD. Sea Xchange SXII watermakers are made in the USA.



Integrated pressure gauges, flow meter, and control panel with backlit display.



Vibration-isolation mounts reduce noise and vibration.



Durable booster pump with 316SS motor shaft.

### Key Benefits

- 2-in-1 modular or compact frame design
- Durable and reliable
- 316SS flow and pressure components
- 316SS booster-pump motor shaft
- 316SS high-pressure pump
- TEFC motor with thermal motor protection
- Computer controller with backlit display
- Tank switch input allows for automatic shut off
- Automatic freshwater flush
- High-rejection seawater membranes
- Commercially available seawater membranes
- Fully upgradable from 600 to 2,200 GPD/2,271 to 8,328 LPD

### Special Options

- Remote control
- High-capacity commercial pre-filter assembly
- UV sterilizers
- Filter replacement kit
- Soft start
- pH neutralizer
- Media filters (particulate and iron removal)
- Manual TDS meter
- Vessel assembly upgrades



## Specifications for Dometic Sea Xchange SXII Watermakers

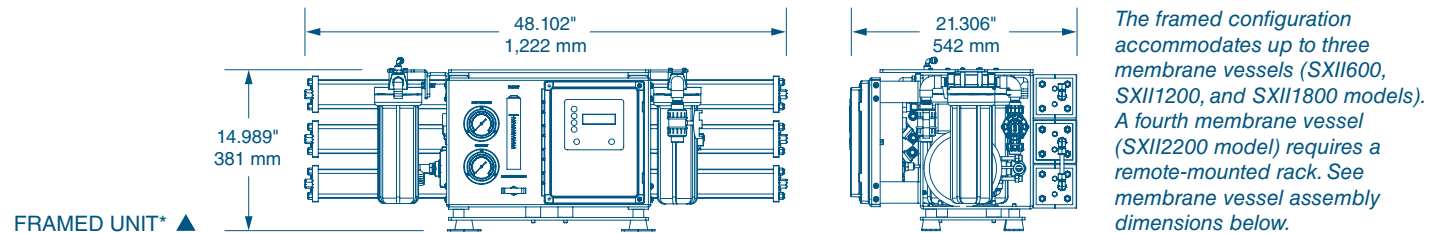
Model	SXII600	SXII1200	SXII1800	SXII2200	Booster Pump	HP Pump
Capacity Per Hour (gal/l)	25/94.6	50/189.3	75/283.9	92/348.3	N/A	N/A
Capacity Per 24 Hours (gal/l)	600/2,271	1,200/4,542	1,800/6,814	2,200/8,328	N/A	N/A
Membrane Quantity	1	2	3	4	N/A	N/A
Net Weight (lbs/kg)	127.6/57.9	142.2/64.5	157.2/71.3	174.2/79.0 <sup>(1)</sup>	Included In Net Weight	Included In Net Weight
Shipping Weight (lbs/kg)	207.5/94.1	232.2/105.3	257.2/116.6	284.2/128.9	Included In Shipping Weight	Included In Shipping Weight
Shipping Dimensions (H X W X D)	31 X 41.5 X 48.5 in. (762 X 1,055 X 1,232 mm)					

<sup>1</sup> Combined weight of system and remote-mounted membrane vessel assembly. System weight is 112.1 lbs/50.8 kg; membrane vessel assembly weight is 62.1 lbs/28.2 kg.

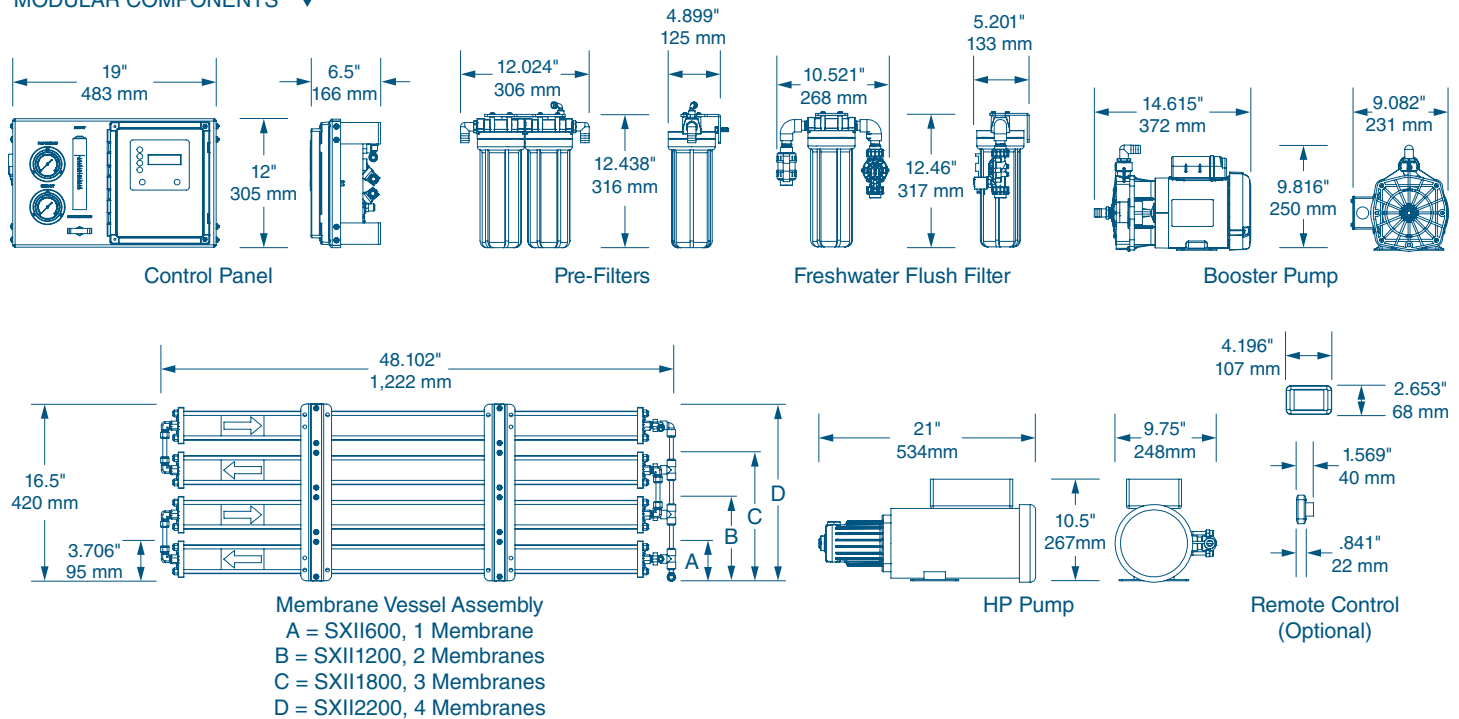
## Electrical Requirements

Model	SXII600	SXII1200	SXII1800	SXII2200	Booster Pump	HP Pump
Amperage	14.0A @ 230V/60Hz 15.4A @ 220V/50Hz	14.0A @ 230V/60Hz 15.4A @ 220V/50Hz	14.0A @ 230V/60Hz 15.4A @ 220V/50Hz	14.0A @ 230V/60Hz 15.4A @ 220V/50Hz	3.6A @ 230V/60Hz 4.4A @ 220V/50Hz	10.4A @ 230V/60Hz 11.0A @ 220V/50Hz
Circuit Breaker Size	30A	30A	30A	30A	N/A	N/A

## Dimensions



### MODULAR COMPONENTS\* ▼



\* All SXII models can be installed in either framed or modular configurations as space allows.

### DOMETIC MARINE DIVISION

2000 N. Andrews Ave. Ext. | Pompano Beach, FL 33069 USA | Tel. 954-973-2477 | Fax: 954-979-4414  
www.Dometic.com/Marine | MarineSales@DometicUSA.com

### 24/7 TECH SUPPORT FOR UNITED STATES & CANADA:

8:00 AM to 5:00 PM Eastern Time: 800-542-2477  
After hours and weekends: 888-440-4494

### INTERNATIONAL SALES & SERVICES

Europe & the Middle East: Call +44(0)870-330-6101  
For all other areas visit our website to find your nearest distributor.

Dealer

