

Self-Priming Centrifugal Grinding Pumps

Description

Pumps are horizontal, one-stage, self-priming centrifugal with an open impeller handling large solids up to 20 mm (3/4"). Foot valve is not necessary. The pump primes and re-primers automatically to depths over 7,5 meters (25 feet). With easily replaceable wear plates, these pumps have a high resistance to abrasion. The impeller can easily be inspected through a large cover. All pumps are equipped with externally lubricated mechanical seals with hard faces. Lubrication prevents damage during dry running.

Construction Features

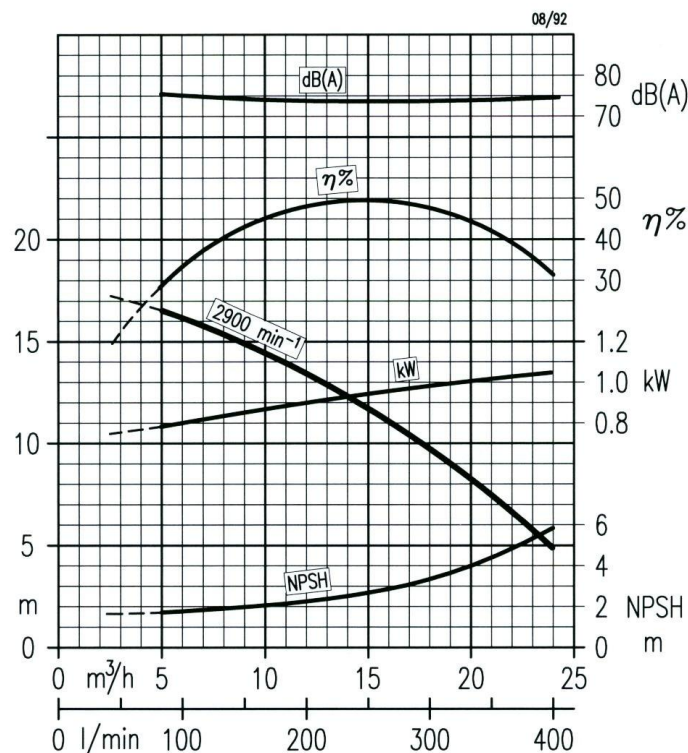
Self-priming centrifugal pump with impeller open blades, cast-iron construction with galvanic protection (zinc anode), suction and discharge holes threaded 1 1/2" gas, mechanical seal silicon carbide / ceramic / viton, flap valve and rubber seals nitrile, wear flat front rotor with knives, shredders bronze / aluminum.

Summary Table

Type	Size		Solids Handling Ø mm	Motor Power kW	Nominal Impeller Ø mm	Pedestal Size	Weight kg
	in	mm					
S 42	1½"	40	20	1,1-1,5	110	1	25

Impeller: 110 mm Ø Solids up to: 20 mm Ø Speed: 2900 min⁻¹
 Girante: Solidi fino a: Velocità:

Performance: 50 Hz



TECNICOMAR S.p.A.

Head Office and Plant: 91025 MARSALA (TP), ITALY - C.da Berbaro, 145/D - S.S. II5 Km. 36.4
 Phone (+39) 0923 969409 - Fax (+39) 0923 960235
 Subsidiary: 55049 VIAREGGIO (LU) - Via M. Coppino, 67 - Phone / Fax (+39) 0584 395408
 www.tecnicomar.it · E-mail: info@tecnicomar.it

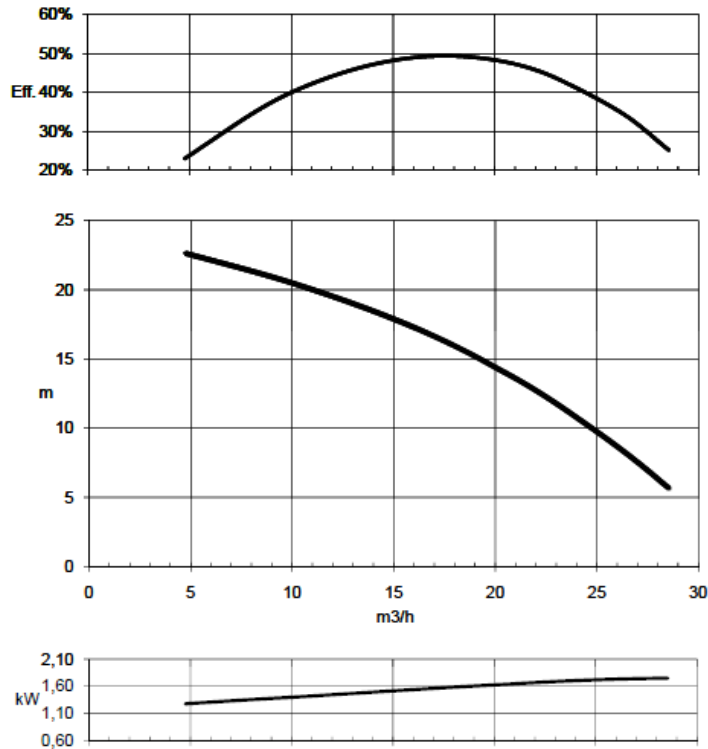


Performance: 60 Hz

Laufrad:
Impeller: 110 mm
Girante:

Feststoffe bis:
Solids up to: 20 mm Ø
Solidi fino a:

Umdrehung:
Speed: 3450 min⁻¹
Velocità:



Motor description single phase

Single phase motor 1,1kW 2Poles 220-240V 50Hz	Frame 80
Form IM B3/B14	Rated output 1,1 [kW]
Service factor 1.0	Type of duty S1
Rated voltage 220-240 [V]	Rated frequency 50 [Hz]
Poles 2	speed 2790 [min ⁻¹]
Power factor 0,94	Rated current 8,3 [A]
Rated torque 3,5 [Nm]	Insulation class F
Enclosure IP55	Bearings: Drive end 6204-2RS; Non drive end 6204-2RS
Starting torque/Rated torque 0,6 Msp/Mn	Starting current / Rated current 2,8 Isp/In
Permanent capacitor = 30µF	Special Shaft mec 80

TECNICOMAR S.p.A.

Head Office and Plant: 91025 MARSALA (TP), ITALY - C.da Berbaro, 145/D - S.S. II5 Km. 36.4
Phone (+39) 0923 969409 - Fax (+39) 0923 960235
Subsidiary: 55049 VIAREGGIO (LU) - Via M. Coppino, 67 - Phone / Fax (+39) 0584 395408
www.tecnicomar.it · E-mail: info@tecnicomar.it



MOTORS DATA SHEET

SPECIFIC. N°: AF100012

MOTOR PART NUMBER	T2DCE540
CUSTOMER PART NUMBER/DRAWING	59121
MOTOR TYPE	TR80C2
POLES	2
PROTECTION DEGREE	IP55
VOLTAGE – FREQUENCY	230/400 – 240/415/50Hz 285/480 – 277/480/60HZ
CURRENT (A)	6,40 / 3,70
COS φ	0,80
EFFICIENCY η%	73 %
DIRECTION OF ROTATION	BIDIRECTIONAL
ENVIRONMENT CONDITION	T° ≤ +50°C
NOMINAL POWER (kW)	1,50
NOMINAL SPEED (rpm)	3000/3600
DUTY	S1
INSULATION CLASS	F
MOUNTING / POSITION	IM B34
FRAME	IEC 80
MATERIAL FLANGE/END SHIELD	ALLUMINIUM
MATERIAL TERMINAL BOX	ALLUMINIUM
MATERIAL FAN	NYLON
MATERIAL FANCOVER	GALVANIZED STEEL
MATERIAL SHAFT	STAINLESS STEEL AISI 420
BEARING TYPE	"B" SIDE 6204 2RS "A" SIDE 6204 2RS
MOTOR COLOUR	NO PAINTING
SPECIAL CHARACTERISTICS	HOLES FOR CONDENSATE DRAINAGE THERMISTOR PROTECTOR PTC OIL SEAL WITHOUT SPRING
TYPE OF WINDING	STD. 3 PHASE
ANTICONDENSATION HEATER TYPE	/

OTHER CHARACTERISTIC MOTOR COMPLIES WITH FOLLOWING STANDARDS

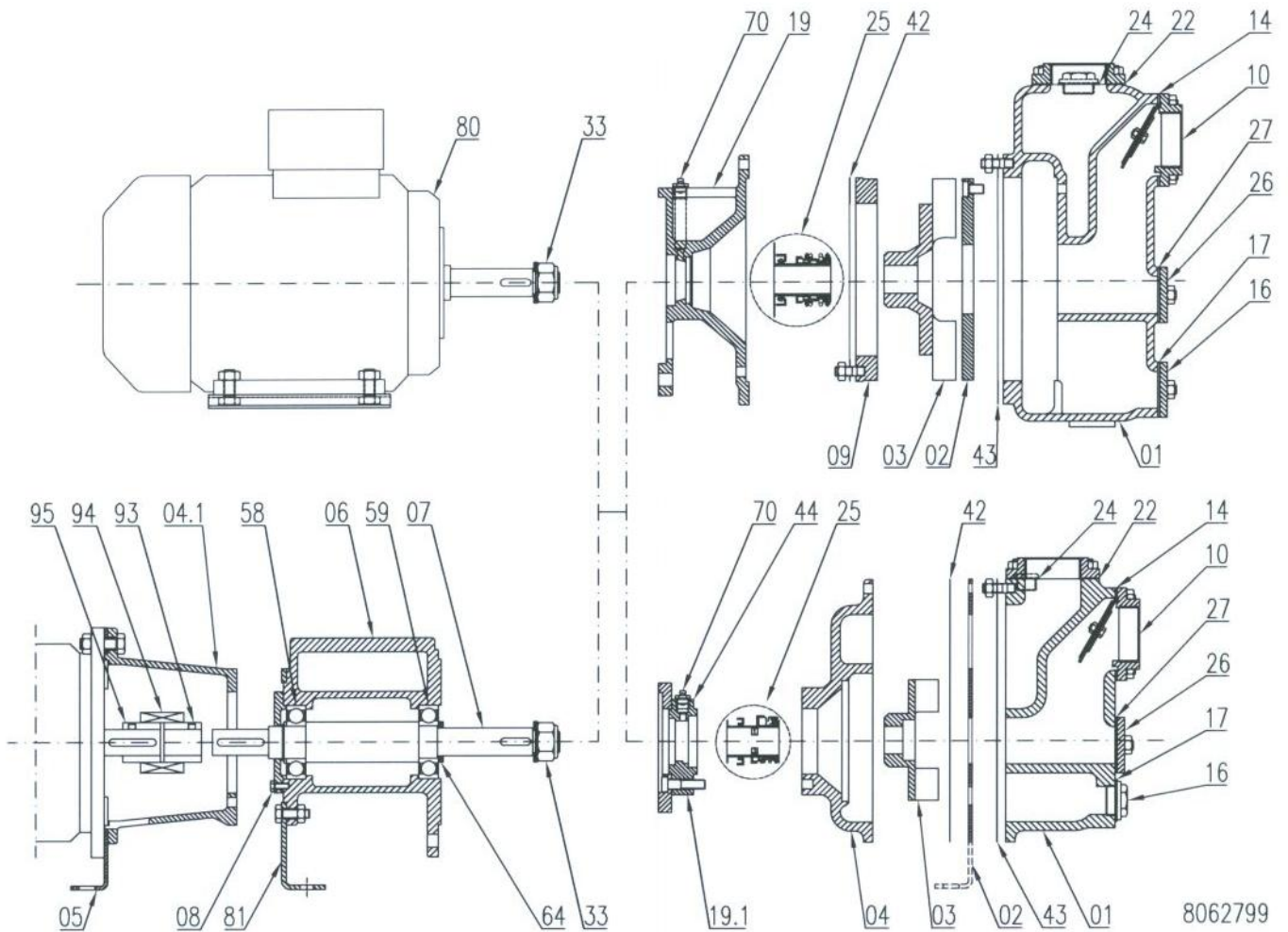
RATING AND PERFORMANCE EN80034 (IEC34)
VOLTAGE STANDARDS IEC38
MOUNTING CHARACTERISTICS IEC34-7
PROTECTION DEGREE IEC34-5
DIMENSIONAL IEC72-1
LOW VOLTAGE DIRECTIVE 2006/95/CE (LVD)
ELECTROMAGNETIC COMPATIBILITY DIRECTIVE 2004/108/CE (EMC)
<i>MACHINE DIRECTIVE 2006/42/CE (ONLY WITH CONFORMITY OF INSTALLATION MACHINES)</i>
SAFETY: EN60204
<i>DIELECTRIC STRENGTH TEST AND INSULATION: COMPLY WITH CE144-5 EN60204-1</i>
RESTRICTION OF HAZARDOUS SUBSTANCES DIRECTIVE 2002/95/CE (RoHS)

TECNICOMAR S.p.A.

Head Office and Plant: 91025 MARSALA (TP), ITALY - C.da Berbaro, 145/D - S.S. II5 Km. 36.4
Phone (+39) 0923 969409 - Fax (+39) 0923 960235
Subsidiary: 55049 VIAREGGIO (LU) - Via M. Coppino, 67 - Phone / Fax (+39) 0584 395408
www.tecnicomar.it · E-mail: info@tecnicomar.it



Exploded views of S42 pump



Ref.	Part Name
01	Casing
02	Wear Plate
03	Impeller
04	Volute
04.1	Bracket
05	Foot, Bracket
06	Bearing Housing
07	Shaft
08	Bearing Cover
09	Wear Plate rear (with 42)
10	Suction Flange
14	Check Valve
16	Drain Cover or Plug
17	Gasket (Drain)
19	Head
19.1	Seal Box
22	Gasket, Discharge Flange

Ref.	Part Name
24	Gasket (Priming)
25	Mechanical Seal
26	Clean Out Cover
27	Gasket (Clean Out)
33	Nut, Impeller
42	Gasket, Volute
43	Gasket, Casing
44	Gasket, Seal Box
58	Ball Bearing, outer
59	Ball Bearing, inner
64	Sleeve, inner
70	Grease Lubricator
80	Electric motor (with 33)
93	Coupling Half
94	Rubber Part
95	Coupling Half
	Gasket Set (with 14,17,22,27,42,43)