

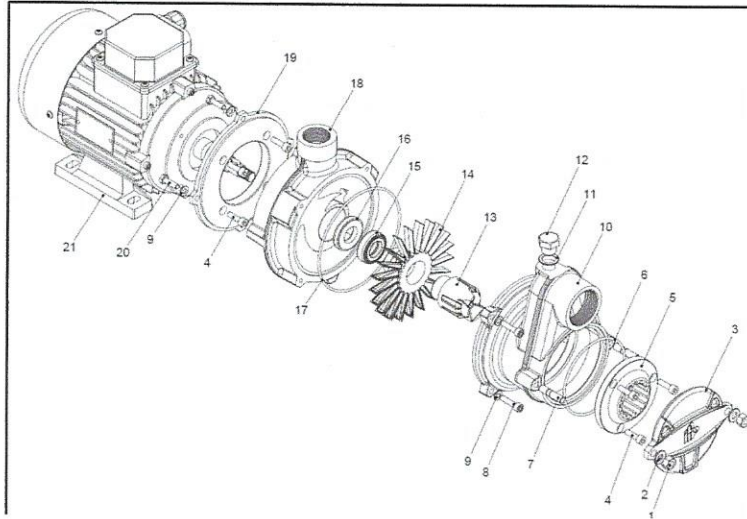


## SPARE PARTS

### After Sales Service

The management of the guarantee and spare parts is easily traceable through identification of the serial number of the treatment plant. The Test Report annexed with the plant manual shows all the informations necessary for the pump identification.

### Spare Parts List for three-phases system



POS.	CODE	Q.ty	Description	Material
1	20-0440304	2	Hex-nut M8 UNI5587	Inox A2
2	20-0120302	2	Plain washer $\phi 8$ UNI6592	Inox A2
3	60-4010321	1	Inspection port	CuSn <sub>5</sub> Zn <sub>5</sub> Pb <sub>5</sub> -C EN 1982 (CC491K)
4	20-0090310	7	Screw TCEI M6x20 UNI59321	Inox A2
5	60-7910321	1	Stationary knife	G-CuAl <sub>11</sub> Fe <sub>4</sub> Ni <sub>4</sub> UNI5275
6	20-0261011	1	O-ring $\phi 94,92 \times 2,62$ OR3375	NBR
7	25-0930302	2	Stud M8x31	Inox A2
8	20-0320806	4	Screw TCEI M6x25 UNI5931	Inox A2
9	20-0280412	8	Plain washer $\phi 6$ UNI6592	Inox A2
10	60-2220321	1	Suction case	CuSn <sub>5</sub> Zn <sub>5</sub> Pb <sub>5</sub> -C EN 1982 (CC491K)
11	20-0270804	1	Sealing washer $\phi 16,7 \times 23 \times 1,5 - G3/8''$	Annealed copper
12	25-0192404	1	End plug G3/8''	Brass
13	60-7900321	1	Movable knife	G-CuAl <sub>11</sub> Fe <sub>4</sub> Ni <sub>4</sub> UNI5275
14	60-1100321	1	Impeller	CuSn <sub>5</sub> Zn <sub>5</sub> Pb <sub>5</sub> -C EN 1982 (CC491K)
15	20-0060706	1	Mechanical seal FA20	Carbon
16	20-0450706	1	Counterface FA20	Ceramics
17	20-0510321	1	O-ring $\phi 131 \times 2,5$ metric series	NBR
18	60-2200321	1	Delivery case	CuSn <sub>5</sub> Zn <sub>5</sub> Pb <sub>5</sub> -C EN 1982 (CC491K)
19	60-5601010	1	Adaptor flange IEC80	Galvanized sheet
20	20-0450310	4	Screw TE M6x20 UNI5739	Inox A2
21	20-0700810	1	3-phases motor 4 poles-IEC80-B34-0.75kW-230/400V-50Hz-special shaft	

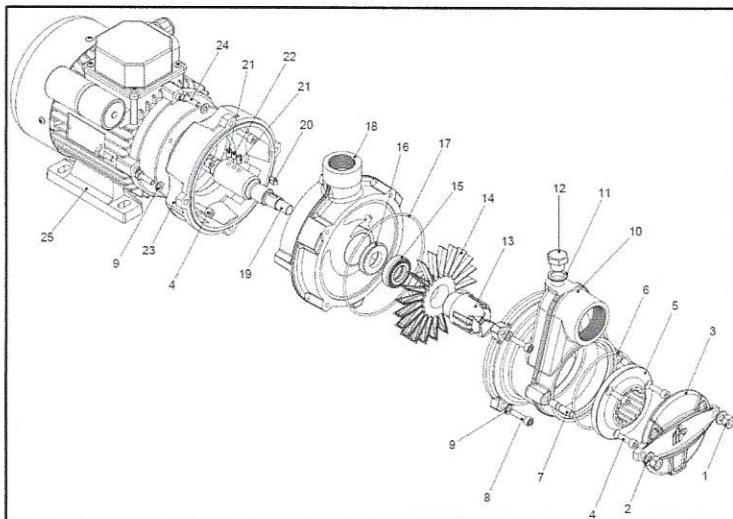
TECNICOMAR S.p.A.

Head Office and Plant: 91025 MARSALA (TP), ITALY  
 C.da Barbaro, 145/D - S.S. 115, Km 36,4 - Phone (+39) 0923 969409 - Fax (+39) 0923 960235  
 Subsidiary: 55049 VIAREGGIO (LU) - Via M. Coppino, 67 - Phone / Fax (+39) 0584 395408  
 www.tecnicomar.it - E-mail: info@tecnicomar.it





## Spare Parts List for monophasic system



POS.	CODE	Q.ty	Description	Material
1	20-0440304	2	Hex-nut M8 UNI5587	Inox A2
2	20-0120302	2	Plain washer $\phi 8$ UNI6592	Inox A2
3	60-4010321	1	Inspection port	CuSn <sub>5</sub> Zn <sub>5</sub> Pb <sub>5</sub> -C EN 1982 (CC491K)
4	20-0090310	7	Screw TCEI M6x20 UNI59321	Inox A2
5	60-7910321	1	Stationary knife	G-CuAl <sub>11</sub> Fe <sub>4</sub> Ni <sub>4</sub> UNI5275
6	20-0261011	1	O-ring $\phi 94,92 \times 2,62$ OR3375	NBR
7	25-0930302	2	Stud M8x31	Inox A2
8	20-0320806	4	Screw TCEI M6x25 UNI5931	Inox A2
9	20-0280412	8	Plain washer $\phi 6$ UNI6592	Inox A2
10	60-2220321	1	Suction case	CuSn <sub>5</sub> Zn <sub>5</sub> Pb <sub>5</sub> -C EN 1982 (CC491K)
11	20-0270804	1	Sealing washer $\phi 16,7 \times 23 \times 1,5 - G3/8''$	Annealed copper
12	25-0192404	1	End plug G3/8''	Brass
13	60-7900321	1	Movable knife	G-CuAl <sub>11</sub> Fe <sub>4</sub> Ni <sub>4</sub> UNI5275
14	60-1100321	1	Impeller	CuSn <sub>5</sub> Zn <sub>5</sub> Pb <sub>5</sub> -C EN 1982 (CC491K)
15	20-0060706	1	Mechanical seal FA20	Carbon
16	20-0450706	1	Counterface FA20	Ceramics
17	20-0510321	1	O-ring $\phi 131 \times 2,5$ metric series	NBR
18	60-2200321	1	Delivery case	CuSn <sub>5</sub> Zn <sub>5</sub> Pb <sub>5</sub> -C EN 1982 (CC491K)
19	60-0111010	1	Adaptor shaft	Inox AISI 316
20	20-0090706	1	Tab A5x5x12 UNI6604	Inox A4
21	20-0900310	2	Flat head grub screw M6x10 UNI5927	Stainless Steel 12.9
22	20-0910310	1	Conical head grub screw M6x10 UNI5927	Stainless Steel 12.9
23	60-0250810	1	Adaptor lantern IEC80	Cast iron G25 UNI5007
24	20-0450310	4	Screw TE M6x20 UNI5739	Inox A2
25	20-0710321	1	1-phase motor 4 poles-IEC80-B34-0.75kW-230V-50Hz-high starting torque	

TECNICOMAR S.p.A.

Head Office and Plant: 91025 MARSALA (TP), ITALY  
 C.da Barbaro, 145/D - S.S. 115, Km 36.4 - Phone (+39) 0923 969409 - Fax (+39) 0923 960235  
 Subsidiary: 55049 VIAREGGIO (LU) - Via M. Coppino, 67 - Phone / Fax (+39) 0584 395408  
 www.tecnicomar.it - E-mail: info@tecnicomar.it

SEDE LEGALE: 91025 MARSALA (TP), ITALIA - C.DA BARBARO, 78 - COD. FISC. / P.I.V.A. IT 0139570-081-6 - REG. TRIB. DI MARSALA N° 3825 - C.C.I.A.A. TP N° 81642 - IMPORT / EXPORT M. N° 820744 - CAPITALE SOCIALE EURO 2.100.000 - I.V.

